

CHASSIS MOUNTING KITS SINGLE, DUAL, AND TRIPLE OUTPUT

DESCRIPTION

In applications where Power-One DC/DC products do not fit an existing circuit board, Power-One chassis mount kits allow the installation of most DC/DC converters directly to frames, fixtures, and chassis. To improve converter performance and reduce circuit noise, chassis mount kits provide a 180µF (100VDC) input capacitor as well as output capacitance with decoupling. Socketed pins provide for direct installation of DC/DC converters to the chassis mount kit.

Table 1, the DC/DC Chassis Mounting Reference Chart describes the application of single, dual, and triple series DC/DC converters to the chassis mount kit. The CM2A chassis mounting kits, designed for converters with lower input currents, are complete with socketed PC board, 1.5 Ampere fuse, 180µF (100VDC) input capacitor, and barrier strip connector. CM2B chassis mounting kits are complete with socketed PC board, 4.0 Ampere fuse, 180µF (100VDC) input capacitor, and barrier strip connector. Chassis mount kits are not available for the following product series: DSP1, DSN17, and DFC25.

Electrical connection to the chassis mount kit is via a barrier strip with Molex compatible pins (Molex Series 2139 or Series 6442 connector).

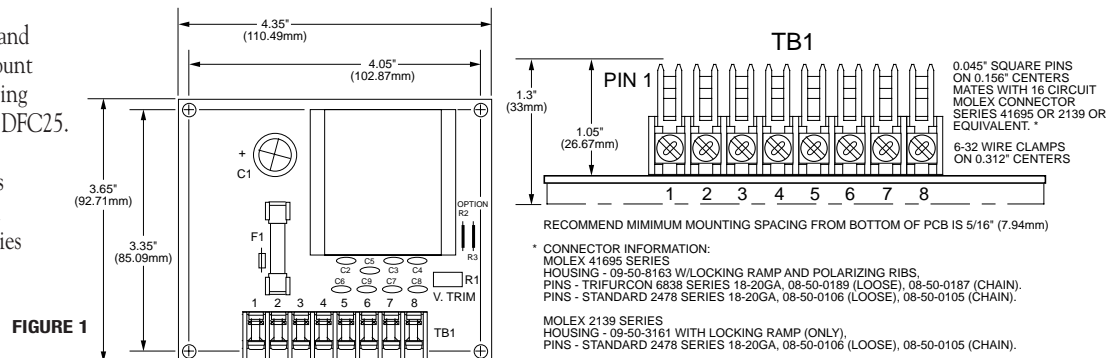


FIGURE 1

See Figure 1. Input and output connections are detailed in Table 2 and Table 3.

CHASSIS MOUNT KIT SELECTION:

To properly select the correct chassis mount kit is as follows:

- 1) Select DC/DC converter from Product Selection Guide.
- 2) Note the required series and input voltage of DC/DC converter.
- 3) Verify usage of selected converter series as per Table 1, DC/DC Chassis Mounting Reference Chart.
- 4) Connect via electrical connections as shown in Table 2 and Table 3.

EXAMPLE:

A single output DFC10 with a 48 Volt input will require a CM2A1 chassis mount kit.

A dual output DFC10 with a 24 Volt input will require CM2B2 chassis mount kit.

TABLE 1

DC/DC CHASSIS MOUNTING REFERENCE CHART					
1.5 AMP MAXIMUM INPUT			4.0 AMP MAXIMUM INPUT		
SINGLE OUTPUT CM2A1	DUAL OUTPUT CM2A2	TRIPLE OUTPUT CM2A3	SINGLE OUTPUT CM2B1	DUAL OUTPUT CM2B2	TRIPLE OUTPUT CM2B3
DFA6 (ALL)	DFC10 (48V)	DGP20 (48V)	DFC6 (ALL)	DFC10 (24V)	DGP20 (12V)
DFC10 (48V)	DFC15 (ALL)		DFC10 (12V)	DGP12 (ALL)	DGP20 (24V)
DFC15 (ALL)	DFA20 (48V)		DFC10 (24V)	DFA20 (12V)	
DFA20 (48V)			DXC15 (ALL)	DFA20 (24V)	
DGP30 (ALL)			DGP12 (ALL)		
			DFA20 (12V)		
			DFA20 (24V)		

TABLE 2

CM2A MOUNTING KIT With 1.5 Amp Fuse and 180µF Input Capacitor						
SCREW TERMINALS	SINGLES (CM2A1)		DUALS (CM2A2)		TRIPLES (CM2A3)	
	DFA6, DFC10 (48V)	DFC15, DFA20 (48V), DGP30	DFC10 (48V)	DFC15, DFA20 (48V)	DGP20 (48V)	
1	N/C	ON/OFF	N/U	ON/OFF	ON/OFF	
2	+INPUT	INPUT	+INPUT	+INPUT	+INPUT	
3	-INPUT	-INPUT	-INPUT	-INPUT	-INPUT	
4	N/C	N/C	N/U	N/U	N/U	
5	+OUTPUT	N/C	+OUTPUT	+OUTPUT	+12/15 OUTPUT	
6	N/C	+OUTPUT	CMN	CMN	+5 OUTPUT	
7	-OUTPUT	-OUTPUT	-OUTPUT	-OUTPUT	CMN	
8	N/C	TRIM	N/U	TRIM	-12/15 OUTPUT	

TABLE 3

CM2B MOUNTING KIT With 4 Amp Fuse and 180µF Input Capacitor						
SCREW TERMINALS	SINGLES (CM2B1)		DUALS (CM2B2)		TRIPLES (CM2B3)	
	DFC6, DFC10(24V), DXC15	DGP12, DFA20 (12V, 24V)	DFC10 (24V)	DGP12, DFA20 (12V, 24V)	DGP20 (12V, 24V)	
1	N/C	ON/OFF	N/U	ON/OFF	ON/OFF	
2	+INPUT	INPUT	INPUT	+INPUT	+INPUT	
3	-INPUT	-INPUT	-INPUT	-INPUT	-INPUT	
4	N/C	N/C	N/U	N/U	N/U	
5	+OUTPUT	N/C	OUTPUT	+OUTPUT	+12/15 OUTPUT	
6	N/C	+OUTPUT	CMN	CMN	+5 OUTPUT	
7	-OUTPUT	OUTPUT	-OUTPUT	-OUTPUT	CMN	
8	N/C	TRIM	N/U	TRIM	-12/15 OUTPUT	